



Talk to us. We listen.



21.5"

19"

17"

15"

10.4"



Smart Battery



USB 3.0



CFast

ARP-3700AP-E01 Series

Flush Bezel Resistive Touch Panel Computers

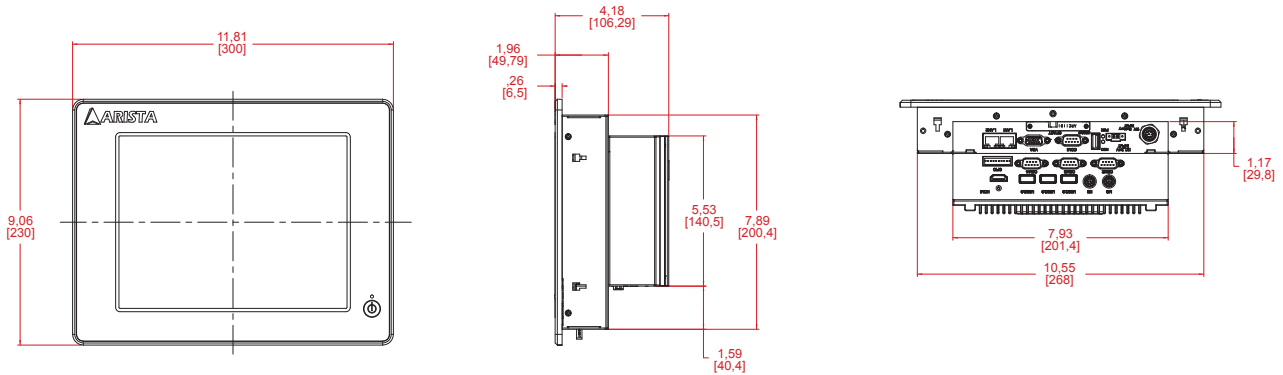


Specifications	ARP-3710AP-E01	ARP-3715AP-E01	ARP-3717AP-E01
LCD Display			
Display Size (Diagnol)	10.4 inch	15.0 inch	17.0 inch
Resolution	800 x 600	1024 x 768	1280 x 1024
Backlight Lifetime (Hours)	50,000	50,000	50,000
Visual Characteristics			
Colors	16.2 millions	16.7 millions	16.7 millions
Aspect ratio	4:3	4:3	5:4
Viewing angle (V/H)	140° / 170°	140° / 160°	140° / 160°
Response time (Typical)	12 ms	8 ms	30 ms
Pixel Pitch (mm)	0.264 x 0.264	0.264 x 0.264	0.264 x 0.264
Contrast ratio	700 : 1	700 : 1	800 : 1
Brightness	400 nits	300 nits	350 nits
Touch Screen			
Technology	5 Wire Resistive	5 Wire Resistive	5 Wire Resistive
Touch rating	35 million touches	35 million touches	35 million touches
MTBF	490,000 hours	490,000 hours	490,000 hours
Interface	USB	USB	USB
Driver	Win7 Pro, Win Embedded 7	Win7 Pro, Win Embedded 7	Win7 Pro, Win Embedded 7
Front Bezel			
NEMA 4	Aluminum	Aluminum	Aluminum
NEMA 4x	Stainless Steel (Optional)	Stainless Steel (Optional)	Stainless Steel (Optional)
Rack Mount Bezel	N/A	N/A	N/A
System			
CPU	Intel E3845 1.91GHz QUADCORE ATOM CPU	Intel E3845 1.91GHz QUADCORE ATOM CPU	Intel E3845 1.91GHz QUADCORE ATOM CPU
Chipset	Bay Trail	Bay Trail	Bay Trail
Memory	Up to 8GB DDR3 SO-DIMM	Up to 8GB DDR3 SO-DIMM	Up to 8GB DDR3 SO-DIMM
Video Controller	Intel Gen7 Intel Graphics DX 11, OGL3.2	Intel Gen7 Intel Graphics DX 11, OGL3.2	Intel Gen7 Intel Graphics DX 11, OGL3.2
External Video Output	VGA, HDMI	VGA, HDMI	VGA, HDMI
Storage Option	SATA DOM, 2.5" HDD, 2.5" SSD	SATA DOM, 2.5" HDD, 2.5" SSD	SATA DOM, 2.5" HDD, 2.5" SSD
Compact Flash	N/A	N/A	N/A
Keyboard / Mouse	USB / PS2	USB / PS2	USB / PS2
Audio	N/A	N/A	N/A
Watchdog Timer	Programmable 1 - 255 sec	Programmable 1 - 255 sec	Programmable 1 - 255 sec
Remote Boot	PXE	PXE	PXE
Expansion Slot	Mini PCIe x2	Mini PCIe x2	Mini PCIe x2
I/O Communication			
USB Port	1 x USB 3.0, 3 x USB 2.0	1 x USB 3.0, 3 x USB 2.0	1 x USB 3.0, 3 x USB 2.0
Serial Port	4 x RS-232/422/485	4 x RS-232/422/485	4 x RS-232/422/485
IEEE 1394	N/A	N/A	N/A
LAN	2 x Gigabit	2 x Gigabit	2 x Gigabit
Parallel	N/A	N/A	N/A
GPIO	4 x DI, 4 x DO	4 x DI, 4 x DO	4 x DI, 4 x DO
Smart Battery			
External Smart Battery	Optional	Optional	Optional
OS Support			
OS Support			
Power / Thermal Specs			
Power Requirement (Max)			
Power Consumption (Max)			
Heat Dissipation			
Physical Information			
Mounting	Panel Mount	Panel Mount	Panel Mount
Net Weight			
Physical Dimension (WxHxD)	11.81 x 9.06 x 4.18 inch 300.0 x 230.0 x 106.3 mm	15.35 x 12.20 x 4.31 inch 390.0 x 310.0 x 109.5 mm	17.69 x 13.94 x 4.48 inch 449.4 x 354.0 x 113.8 mm
Recommended Cutout Dimension (WxH)	10.75 x 8.09 inch 273.0 x 205.4 mm	14.33 x 11.11 inch 364.0 x 282.0 mm	16.11 x 12.37 inch 409.0 x 314.0 mm
Environmental			
Operating Temperature	0~50°C (32~122°F)	0~50°C (32~122°F)	0~50°C (32~122°F)
Storage Temperature	-20~60°C (-4~140°F)	-20~60°C (-4~140°F)	-20~60°C (-4~140°F)
Relative Humidity	0~95%	0~95%	0~95%
IP/MENA Rating	Bezel meets NEMA 4/4X requirement	Bezel meets NEMA 4/4X requirement	Bezel meets NEMA 4/4X requirement
Certification	N/A	N/A	N/A

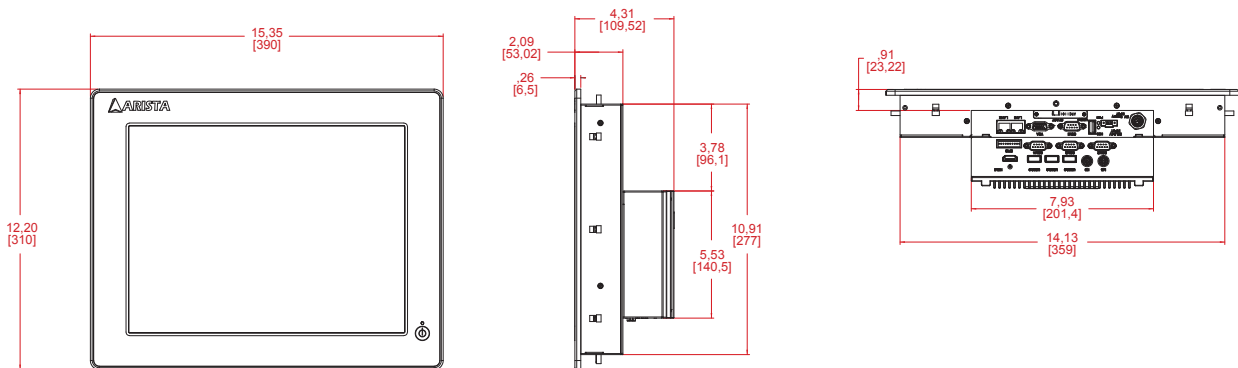
Specifications	ARP-3719AP-E01	ARP-3721AP-E01	
LCD Display			
Display Size (Diagnol)	19.0 inch	21.5 inch	
Resolution	1280 x 1024	1920 x 1080	
Backlight Lifetime (Hours)	50,000	50,000	
Visual Characteristics			
Colors	16.7 millions	16.7 millions	
Aspect ratio	5:4	16:9	
Viewing angle (V/H)	160° / 170°	178° / 178°	
Response time (Typical)	5 ms	14 ms	
Pixel Pitch (mm)	0.294 x 0.294	0.248 x 0.248	
Contrast ratio	1000 : 1	1000 : 1	
Brightness	450 nits	250 nits	
Touch Screen			
Technology	5 Wire Resistive	5 Wire Resistive	
Touch rating	35 million touches	35 million touches	
MTBF	490,000 hours	490,000 hours	
Interface	USB	USB	
Driver	Win7 Pro, Win Embedded 7	Win7 Pro, Win Embedded 7	
Front Bezel			
NEMA 4	Aluminum	Aluminum	
NEMA 4x	Stainless Steel (Optional)	Stainless Steel (Optional)	
Rack Mount Bezel	N/A	N/A	
System			
CPU	Intel E3845 1.91GHz QUADCORE ATOM CPU	Intel E3845 1.91GHz QUADCORE ATOM CPU	
Chipset	Bay Trail	Bay Trail	
Memory	Up to 8GB DDR3 SO-DIMM	Up to 8GB DDR3 SO-DIMM	
Video Controller	Intel Gen7 Intel Graphics DX 11, OGL3.2	Intel Gen7 Intel Graphics DX 11, OGL3.2	
External Video Output	VGA, HDMI	VGA, HDMI	
Storage Option	SATA DOM, 2.5" HDD, 2.5" SSD	SATA DOM, 2.5" HDD, 2.5" SSD	
Compact Flash	N/A	N/A	
Keyboard / Mouse	USB / PS2	USB / PS2	
Audio	N/A	N/A	
Watchdog Timer	Programmable 1 - 255 sec	Programmable 1 - 255 sec	
Remote Boot	PXE	PXE	
Expansion Slot	Mini PCIe x2	Mini PCIe x2	
I/O Communication			
USB Port	1 x USB 3.0, 3 x USB 2.0	1 x USB 3.0, 3 x USB 2.0	
Serial Port	4 x RS-232/422/485	4 x RS-232/422/485	
IEEE 1394	N/A	N/A	
LAN	2 x Gigabit	2 x Gigabit	
Parallel	N/A	N/A	
GPIO	4 x DI, 4 x DO	4 x DI, 4 x DO	
Smart Battery			
External Smart Battery	Optional	Optional	
OS Support			
OS Support			
Power / Thermal Specs			
Power Requirement (Max)			
Power Consumption (Max)			
Heat Dissipation			
Physical Information			
Mounting	Panel Mount	Panel Mount	
Net Weight			
Physical Dimension (WxHxD)	18.15 x 15.16 x 4.39 inch 461.0 x 385.0 x 111.4 mm	22.18 x 13.47 x 4.41 inch 563.4 x 342.2 x 111.9 mm	
Recommended Cutout Dimension (WxH)	16.56 x 14.11 inch 420.6 x 358.4 mm	21.22 x 12.51 inch 539.0 x 317.6 mm	
Environmental			
Operating Temperature	0~50°C (32~122°F)	0~50°C (32~122°F)	
Storage Temperature	-20~60°C (-4~140°F)	-20~60°C (-4~140°F)	
Relative Humidity	0~95%	0~95%	
IP/MENA Rating	Bezel meets NEMA 4/4X requirement	Bezel meets NEMA 4/4X requirement	
Certification	N/A	N/A	

Ordering Information		
	ARP-37XXAP-E01-011-DR	ARP-37XXAP-E01-015-DR
LCD Display	Standard	Standard
Touch Screen	5-Wire	5-Wire
Bezel	Aluminum	Stainless Steel
CPU	E3845 ATOM CPU	E3845 ATOM CPU
Memory	8GB DDR3	8GB DDR3
Storage	2.5" SATA HDD	2.5" SATA HDD
ACP Enabled	N/A	N/A
Power Supply	110/220VAC Input	110/220VAC Input
	ARP-37XXAP-E01-031-DR	ARP-37XXAP-E01-035-DR
LCD Display	Standard	Standard
Touch Screen	5-Wire	5-Wire
Bezel	Aluminum	Stainless Steel
CPU	E3845 ATOM CPU	E3845 ATOM CPU
Memory	8GB DDR3	8GB DDR3
Storage	2.5" SATA SSD	2.5" SATA SSD
ACP Enabled	N/A	N/A
Power Supply	110/220VAC Input	110/220VAC Input

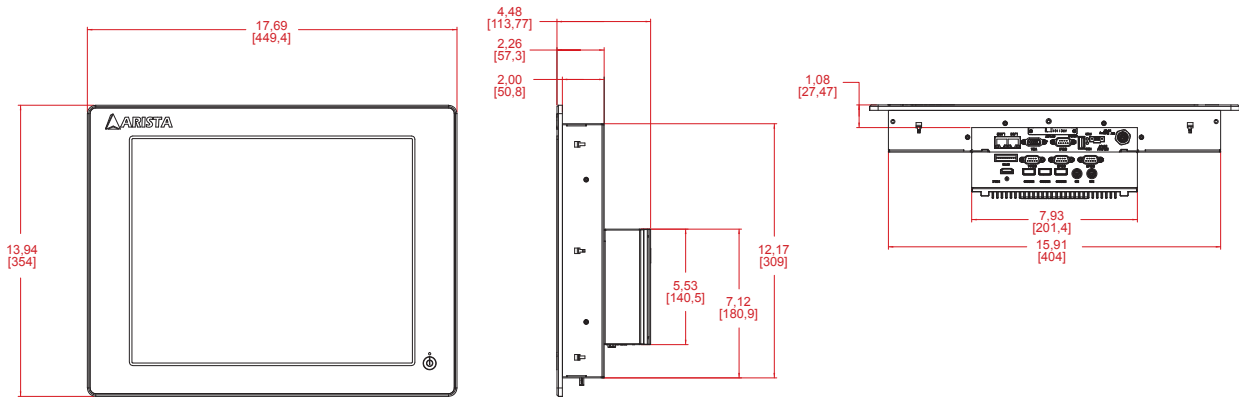
ARP-3710AP-E01



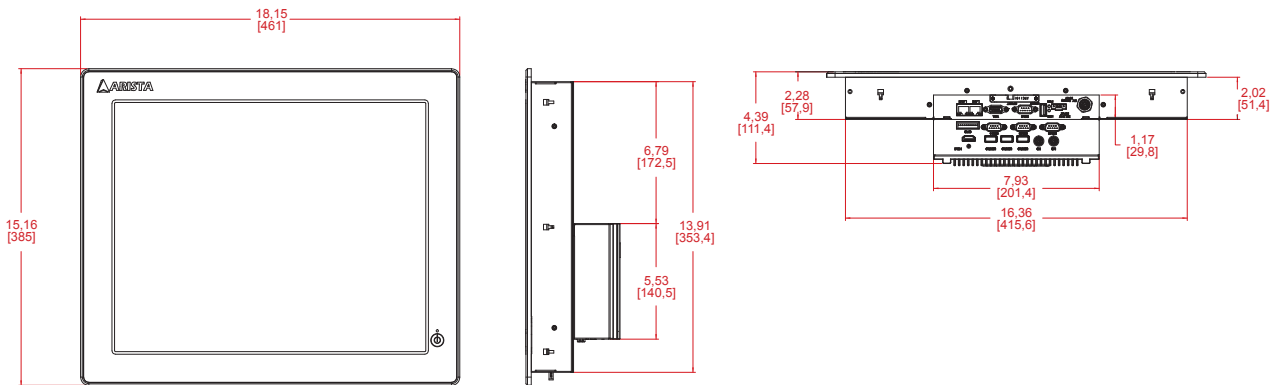
ARP-3715AP-E01



ARP-3717AP-E01



ARP-3719AP-E01



ARP-3721AP-E01

